

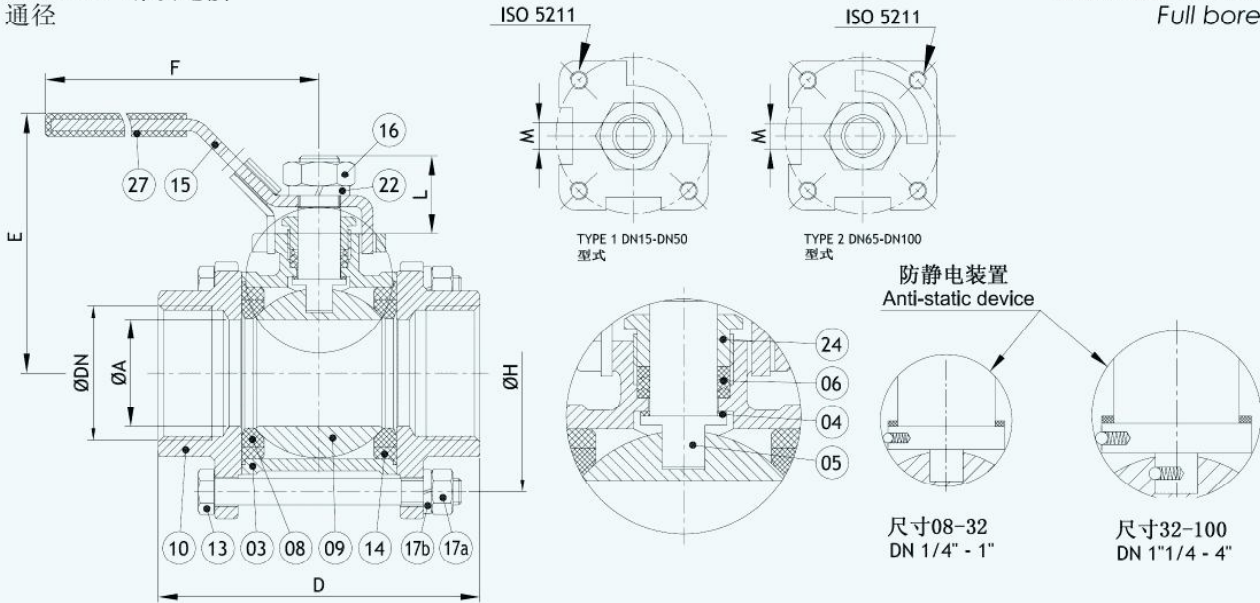
## P55i

### 3片式球阀

尺寸: 1/4英寸到4英寸  
1000 PSI  
BW & BSP 螺纹连接  
全通径

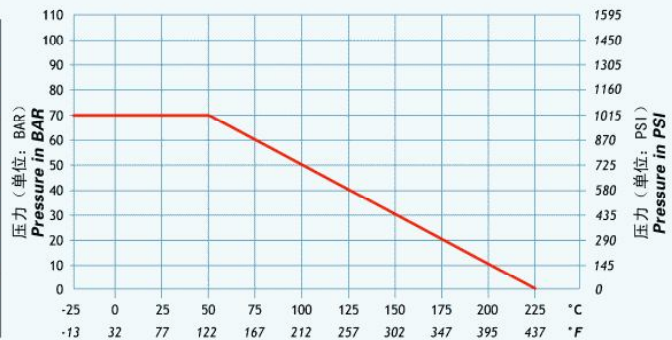
### 3-piece ball valve

Size 1/4" to 4"  
1000 PSI  
BW & BSP thread  
Full bore



编号	数量	零部件名称	材质 (ASTM) 不锈钢	Item	Qty	Description	Material (ASTM) S.steel
03	1	阀体	1.4408	03	1	Body	CF8M
04	1	阀杆密封	PTFE + 25% 1.0619	04	1	Stem thrust seal	PTFE + 25% WCB
05	1	阀杆	1.4401	05	1	Stem	316
06	1	阀杆填料	PTFE + 25% 1.0619	06	3	Stem packing	PTFE + 25% WCB
08	2	阀座	PTFE + 25% 1.0619	08	2	Seat	PTFE + 25% WCB
09	1	阀球	1.4408	09	1	Ball	CF8M
10	2	阀盖	1.4408	10	2	Cap	CF8M
13	4	螺栓 尺寸1/4英寸到2.5英寸	1.4301	13	4	Bolt DN 1/4" to 2 1/2"	304
	6	螺栓 尺寸3英寸到4英寸	1.4301	13	6	Bolt DN 3" to 4"	304
14	2	垫圈	PTFE + 25% 1.0619	14	2	Gasket	PTFE + 25% WCB
15	1	手柄	1.4301	15	1	Handle	304
16	1	阀杆螺母	1.4301	16	1	Stem nut	304
17a	4	紧固螺母尺寸1/4英寸到2-1/2英寸	1.4301	17a	4	Nut screw DN 1/4" to 2 1/2"	304
	6	紧固螺母尺寸3英寸到4英寸	1.4301	17a	6	Nut screw DN 3" to 4"	304
17b	4	螺栓垫片尺寸1/4英寸到2-1/2英寸	1.4301	17b	4	Bolt washer DN 1/4" to 2 1/2"	304
	6	螺栓垫片尺寸3英寸到4英寸	1.4301	17b	6	Bolt washer DN 3" to 4"	304
22	1	弹簧垫片	1.4301	22	1	Spring Washer	304
24	1	填料压盖	1.4301	24	1	Gland	304
27	1	塑料套	塑料	27	1	Plastic Cover	Plastic

尺寸 Size	ØA	D	E	F	ØH	L	M	ISO 5211	
8	1/4"	11,6	58	56	102	40,5	15	5	F03
12	3/8"	12,7	58	56	102	40,5	15	5	F03
15	1/2"	15	63	65	123	47	16	6,5	F03
20	3/4"	20	73	67	123	53,5	16	6,5	F03
25	1"	25	85	79	153	59,6	21	8	F04
32	1 1/4"	32	96	84	153	74,2	21	8	F04
40	1 1/2"	38	114	92	183	84	25	9,5	F05
50	2"	50	134	99	183	101	29	9,5	F05
65	2 1/2"	65	180	136	246	132	40	12	F07
80	3"	80	200	146	246	161,5	48	12	F07
100	4"	100	228	168	503	191	33	12	F07



### 应用 43 Applications

阀门信息可能会  
发生变化。

Tel: +86 (0411) 8754 9209 Fax: +86 (0411) 8754 9206  
E-mail: info@meca-inox.com.cn Web: www.meca-inox.com.cn

Values given for information.  
Changes possible.

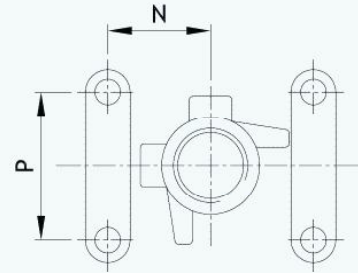
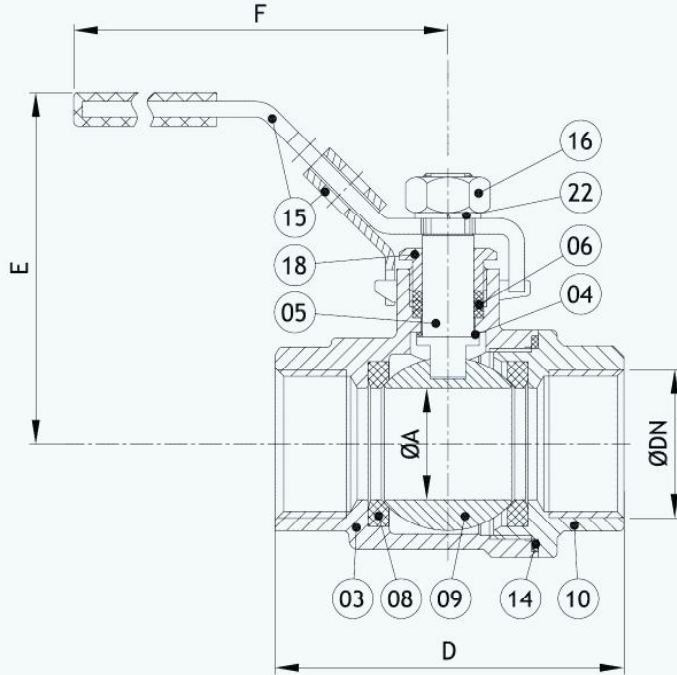
## RBSTNI

### 一片式球阀

尺寸: 1/4英寸到3英寸  
1000 PSI  
BSP & NPT 螺纹连接  
直通

### 1-piece ball valve

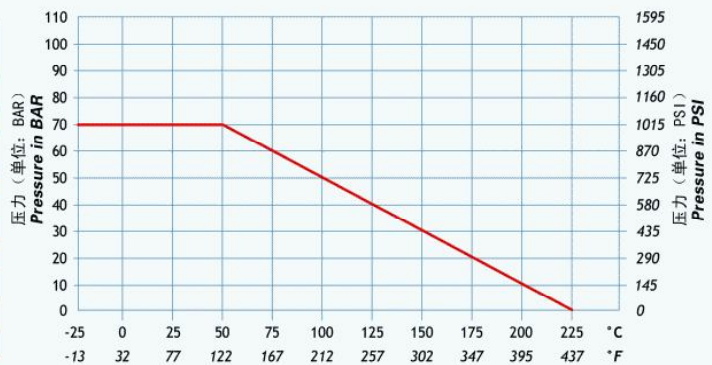
Size 1/4" to 3"  
1000 PSI  
BSP & NPT thread  
Full bore



DN 65-80  
DN 2"1/2 - 3"  
尺寸: 2.5英寸到3英寸

编号	数量	零部件名称	材质 (ASTM) 不锈钢	Item	Qty	Description	Material (ASTM) S.steel
03	1	阀体	1.4408	03	1	Body	CF8M
04	1	阀杆密封	PTFE	04	1	Stem thrust seal	PTFE
05	1	阀杆	1.4404	05	1	Stem	316L
06	1	阀杆填料	PTFE	06	3	Stem packing	PTFE
08	2	阀座	PTFE	08	2	Seat	PTFE
09	1	阀球	1.4408	09	1	Ball	CF8M
10	1	阀体连接	1.4408	10	1	Body connector	CF8M
14	1	阀体密封	PTFE	14	1	Body seal	PTFE
15	1	手柄	1.4301	15	1	Handle	304
16	1	阀杆螺母	1.4301	16	1	Stem nut	304
18	1	压盖螺母	1.4301	18	1	Gland nut	304
22	1	阀杆垫片	1.4301	22	1	Stem washer	304

尺寸 Size	ØA	D	E	F	N	P
8	1/4"	11,6	52	56	102	12,7
12	3/8"	12,7	52	56	102	12,7
15	1/2"	15	58	65	132	12,7
20	3/4"	20	67	68	132	22,4
25	1"	25	78	79	153	22,4
32	1"1/4"	32	90	84	153	25,4
40	1"1/2"	38	104	94	183	25,4
50	2"	50	127,5	100	183	25,4
65	2"1/2"	65	158	135	246	30
80	3"	80	186	145	246	30



### 应用 44 Applications